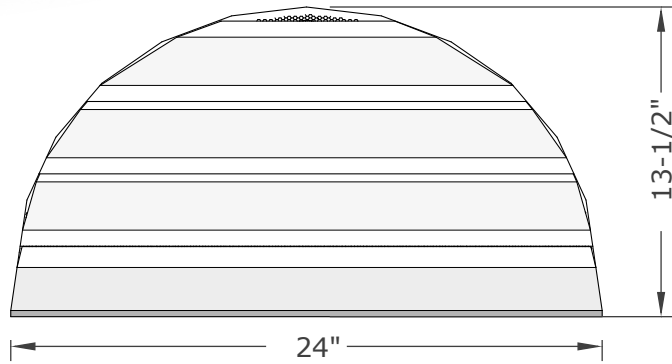


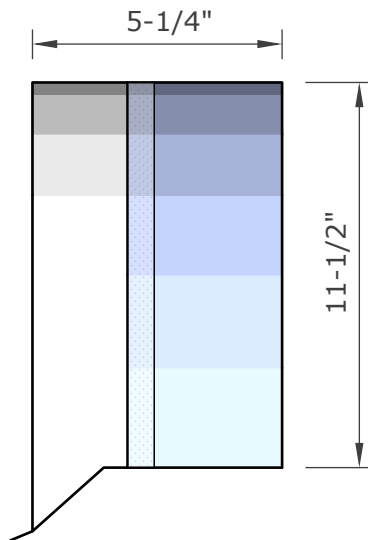
Approved for use in the Wildland Urban Interface (W.U.I.)

Chapter 7A compliant: Tested and listed to ASTM E2886. ICC-ESL listing: 1300

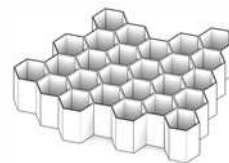
WWW.VULCANVENTS.COM (916) 652-7424 info@newcalmetals.com P.O. Box 1126 Loomis, CA. 95650



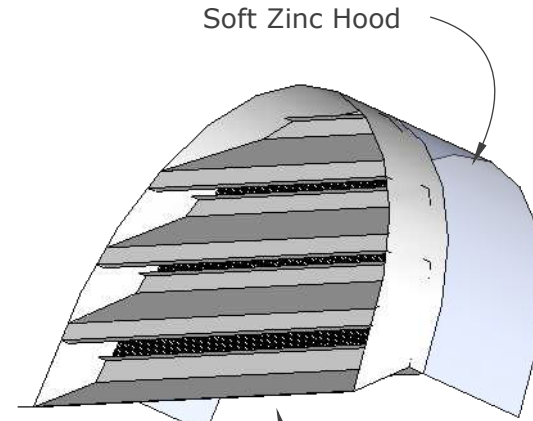
TOP VIEW



SIDE VIEW



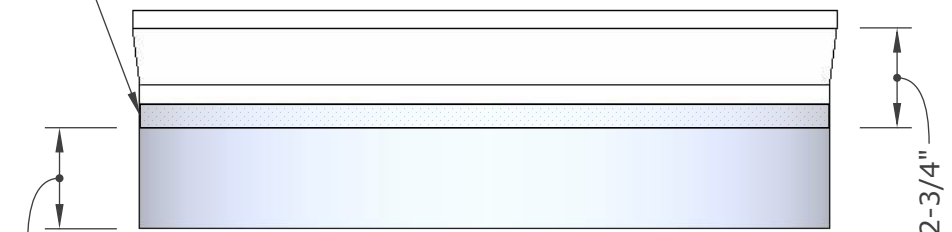
Intumescent Core



Soft Zinc Hood

Ember Mesh

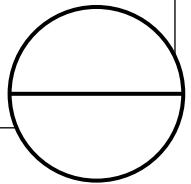
ISOMETRIC VIEW



END VIEW

Proudly Manufactured By: NEW CAL METALS INC.

www.newcalmetals.com



VDHR1224R PRODUCT SPECIFICATION & DATA SHEET

Model Description	Half Round Dormer	Flange Type	Retro (Soft Zinc)	Frame & Flange	G90 Galvanized Steel - 26GA
Model Number	VDHR1224R		90 sq. in.	Intumescent Core	5mm Hexagonal Matrix - Aluminum with intumescent coating
Model Size	24" X 12"	NFVA		Ember Mesh	14 Mesh - 304 Stainless Steel