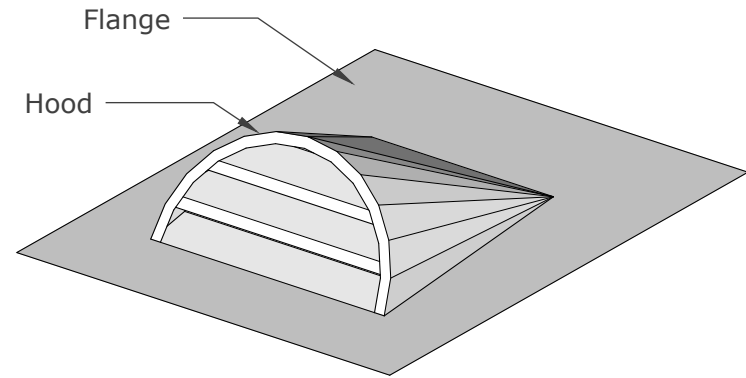
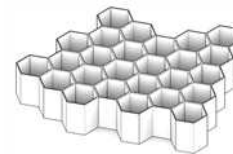


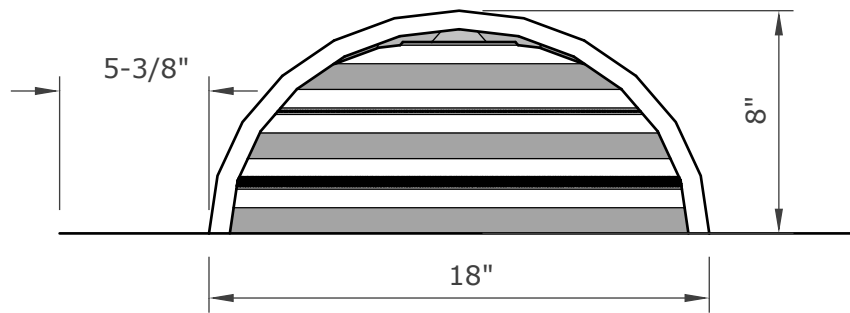
TOP VIEW



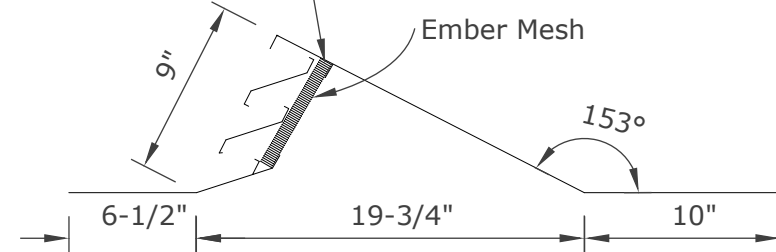
ISOMETRIC VIEW



Intumescent Core



FRONT VIEW



SECTION VIEW

**VDHR918 PRODUCT SPECIFICATION & DATA SHEET**

Proudly Manufactured By: **NEW CAL METALS INC.**

www.newcalmetals.com

Model Description	<b>Half Round Dormer Vent</b>	Flange Type	<b>Standard</b>	Hood & Flange	<b>G90 Galvanized Steel - 26GA</b>
Model Number	<b>VDHR918</b>	NFVA	<b>51 sq. in.</b>	Intumescent Core	<b>5mm Hexagonal Matrix - Aluminum with intumescent coating</b>
Model Size	<b>18" X 9"</b>			Ember Mesh	<b>14 Mesh - 304 Stainless Steel</b>

